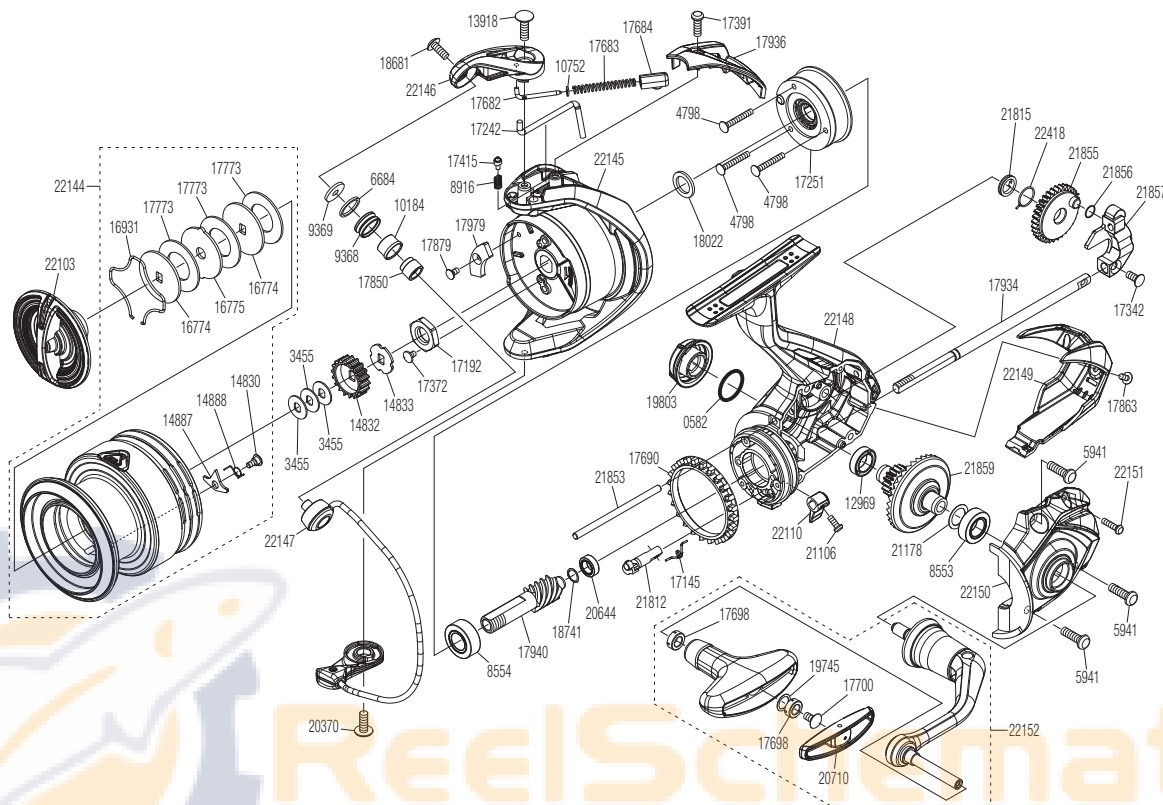


SHIMANO

SAHARA

SH-4000



Please note that the number of adjusting washers may not always be the same as shown in the exploded views.

(51SF57AH40X)

Please note that your actions take full responsibility when you take it apart.

Part No.	Description	Part No.	Description	Part No.	Description
RD 0582	O Ring	RD17391	Screw	RD21853	Oscillating Guide
RD 3455	Spool Washer	RD17415	Click Pin	RD21855	Oscillating Gear
RD 4798	Screw	RD17682	Bail Spring Guide A	RD21856	O Ring
RD 5941	Screw	RD17683	Bail Spring	RD21857	Oscillating Slider
RD 6684	Spacer	RD17684	Bail Spring Guide B	RD21859	Drive Gear
RD 8553	Ball Bearing	RD17690	Friction Ring	RD22103	Drag Knob Assembly
RD 8554	Ball Bearing	RD17698	Bushing	RD22110	Anti Reverse Lever
RD 8916	Click Spring	RD17700	Screw	RD22144	Spool Assembly
RD 9368	Line Roller	RD17773	Drag Washer	RD22145	Rotor
RD 9369	Washer	RD17850	Collar	RD22146	Bail Arm
RD10184	Bushing	RD17863	Screw	RD22147	Bail Assembly
RD10752	Bail Spring Guide A Collar	RD17879	Screw	RD22148	Body Assembly
RD12969	Ball Bearing	RD17934	Main Shaft	RD22149	Rear Protector
RD13918	Screw	RD17936	Bail Spring Cover	RD22150	Side Cover
RD14830	Screw	RD17940	Pinion Gear	RD22151	Screw
RD14832	Spool Support A	RD17979	Counter Weight	RD22152	Handle Assembly
RD14833	Spool Support B	RD18022	Washer	RD22418	Bushing Spring
RD14887	Drag Click	RD18681	Screw		
RD14888	Drag Click Spring	RD18741	Washer		
RD16774	Key Washer	RD19745	Washer		
RD16775	Eared Washer	RD19803	Handle Screw Cap		
RD16931	Retainer	RD20370	Screw		
RD17145	Anti Reverse Cam Spring	RD20644	Ball Bearing		
RD17192	Rotor Nut	RD20710	Handle Knob Seal		
RD17242	Bail Trip Lever	RD21106	Screw		
RD17251	Roller Clutch Assembly	RD21178	Washer		
RD17342	Screw	RD21812	Anti Reverse Cam		
RD17372	Screw	RD21815	Bushing		